



US00D717230S

(12) **United States Design Patent**
Fichter

(10) **Patent No.:** **US D717,230 S**

(45) **Date of Patent:** **** Nov. 11, 2014**

(54) **BED BAR LIGHT FRAME**

Primary Examiner — Katrina A Betton

(71) Applicant: **Thomas Fichter**, Houston, TX (US)

(57) **CLAIM**

The ornamental design for a bed bar light frame, as shown and described.

(72) Inventor: **Thomas Fichter**, Houston, TX (US)

(**) Term: **14 Years**

DESCRIPTION

(21) Appl. No.: **29/464,653**

FIG. 1 is a perspective view of a bed bar light frame.
FIG. 2 is a perspective view of a bed bar light frame in position on a vehicle.

(22) Filed: **Aug. 20, 2013**

FIG. 3 is a rear elevation view of bed bar light frame;

(51) **LOC (10) Cl.** **12-16**

FIG. 4 is a front elevation view of bed bar light frame;

(52) **U.S. Cl.**

FIG. 5 is top plan view of the bed bar light frame

USPC **D12/414**

FIG. 6 is a bottom plan view of a bed bar light frame

(58) **Field of Classification Search**

FIG. 7 is view of a the first side elevation of a bed bar light frame;

USPC D12/414; D32/35, 58; D6/317-319,
D6/513-514; 206/213, 8, 9, 279, 290, 713,
206/335

FIG. 8 is a view of a second side elevation of a bed bar light frame

See application file for complete search history.

FIG. 9 is a perspective view of an alternative mode of a bed bar light frame with a lower horizontal member.

(56) **References Cited**

FIG. 10 is a perspective view of an alternative mode of a bed bar light frame in position on a vehicle.

U.S. PATENT DOCUMENTS

FIG. 11 is a rear elevation view of an alternative mode of bed bar light frame;

D244,268 S *	5/1977	Hinch	D12/412
D306,003 S *	2/1990	Berkan, Jr.	D12/414
D398,284 S *	9/1998	Carter et al.	D12/406
D436,915 S *	1/2001	Burger	D12/406
D444,446 S *	7/2001	Carter	D12/406
7,641,251 B1 *	1/2010	Stepanians	296/3
D639,231 S *	6/2011	Walsh	D12/414
D655,238 S *	3/2012	Vu	D12/406

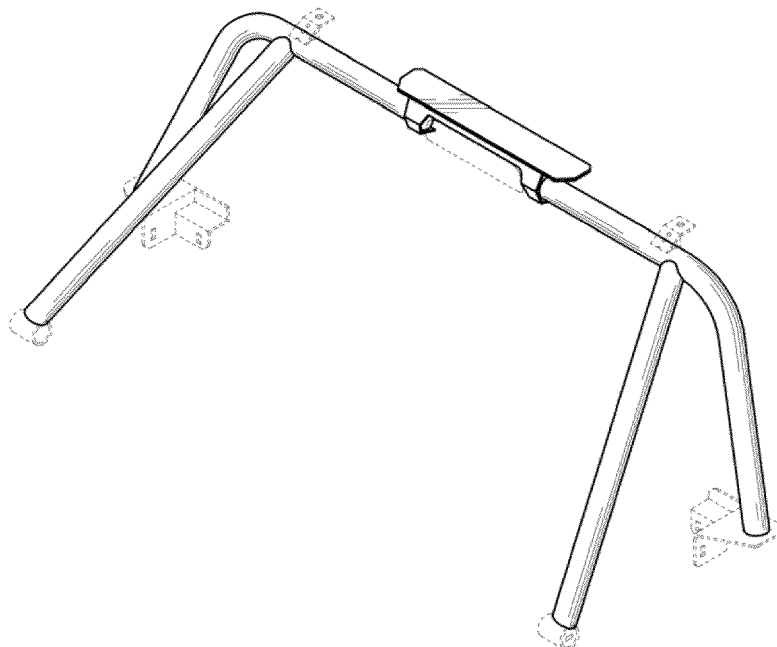
FIG. 12 is a front elevation view of an alternative mode of bed bar light frame; and,

FIG. 13 is a bottom plan view of a an alternative mode of bed bar light frame.

In the drawings, the broken lines depict portions of a vehicle and form no part of the claimed design.

* cited by examiner

1 Claim, 9 Drawing Sheets



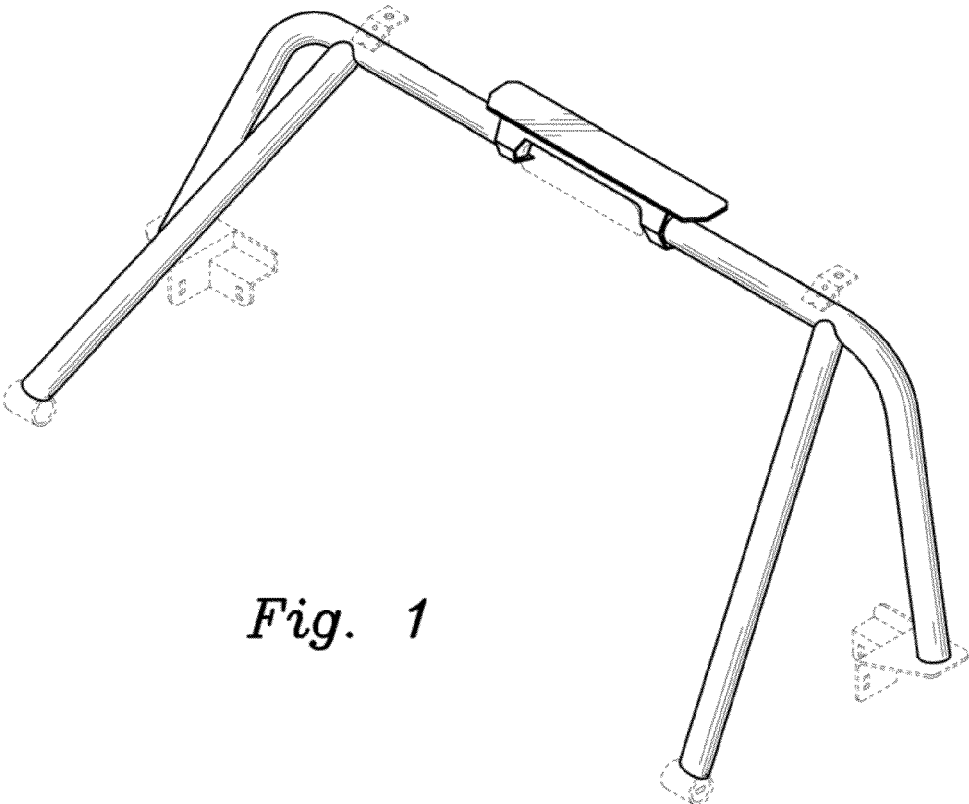


Fig. 1

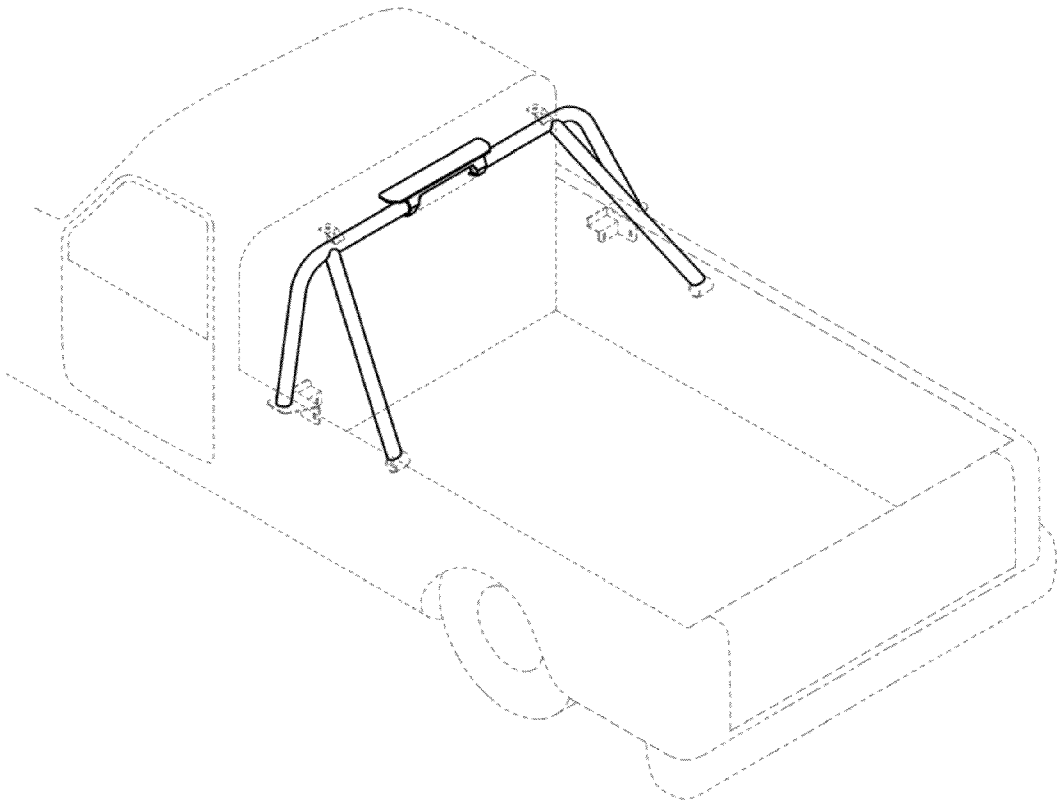


Fig. 2

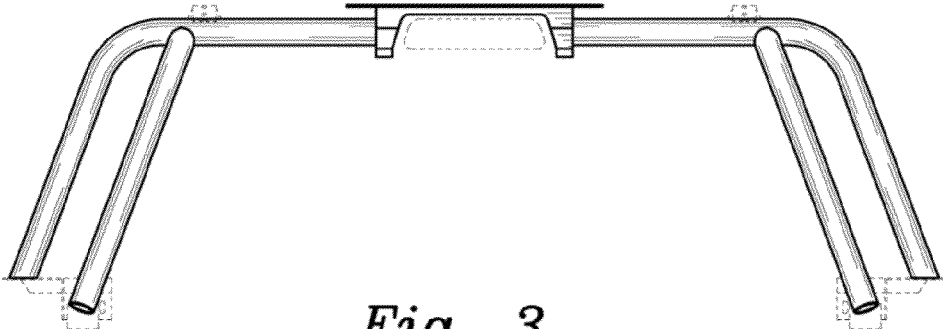


Fig. 3

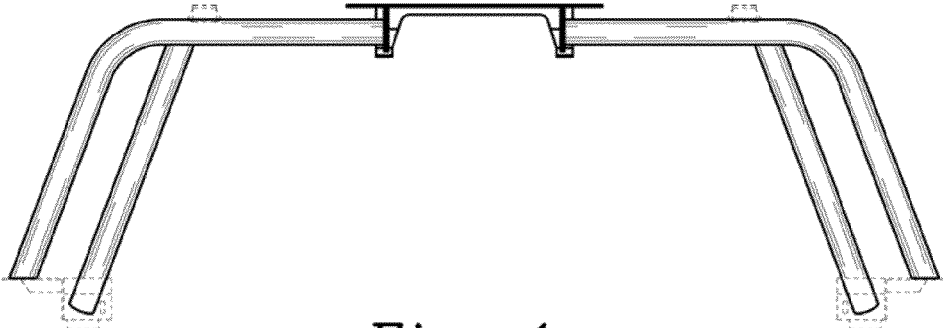


Fig. 4

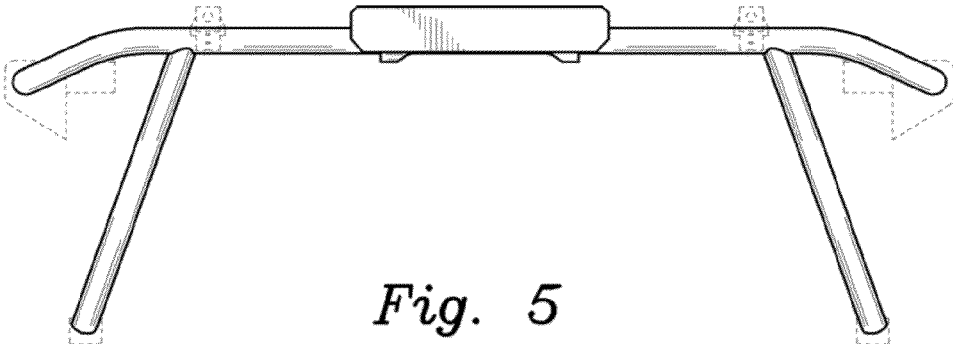


Fig. 5

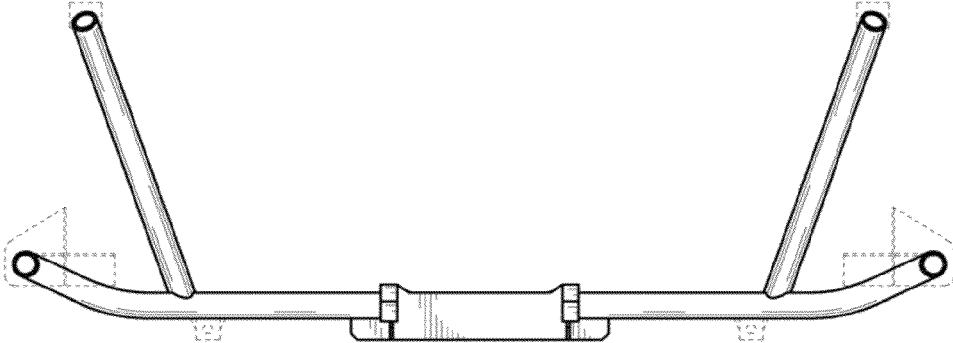


Fig. 6

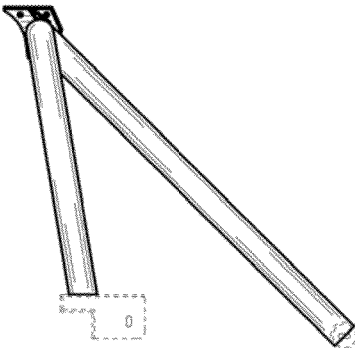


Fig. 7

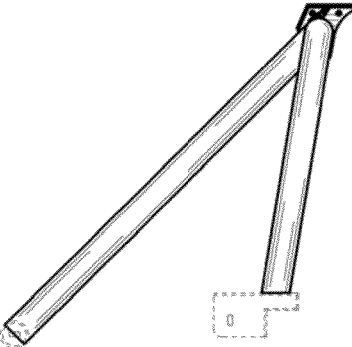


Fig. 8

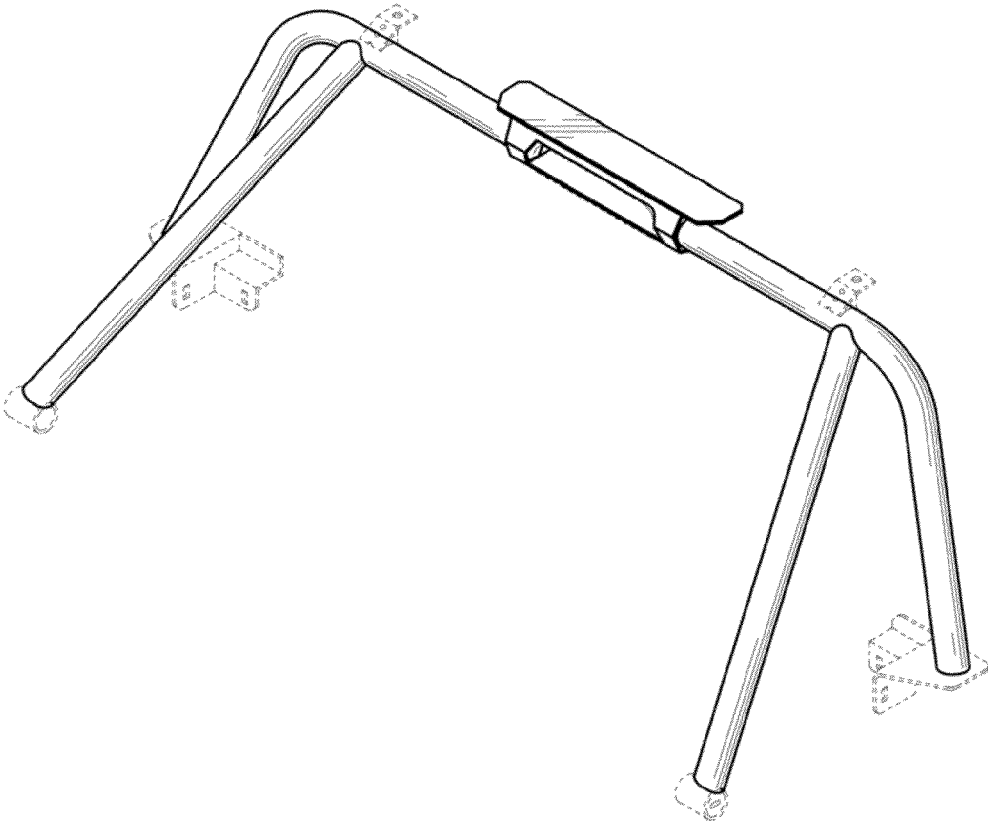


Fig. 9

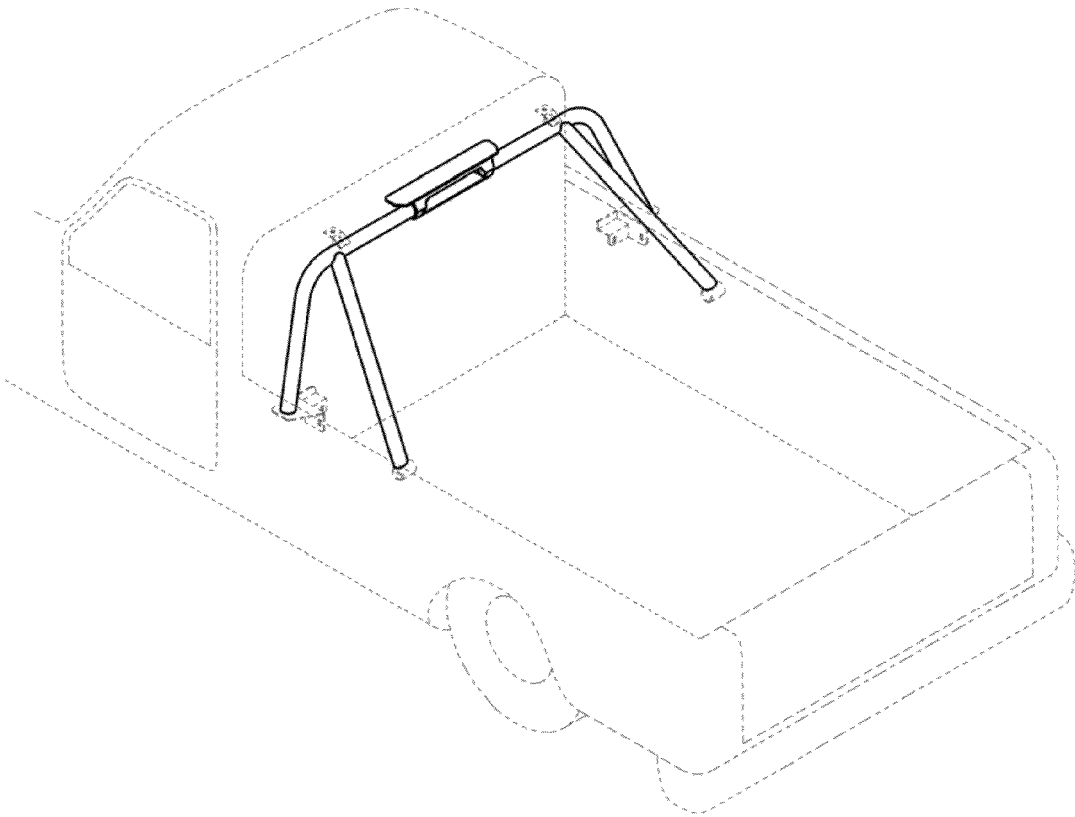


Fig. 10

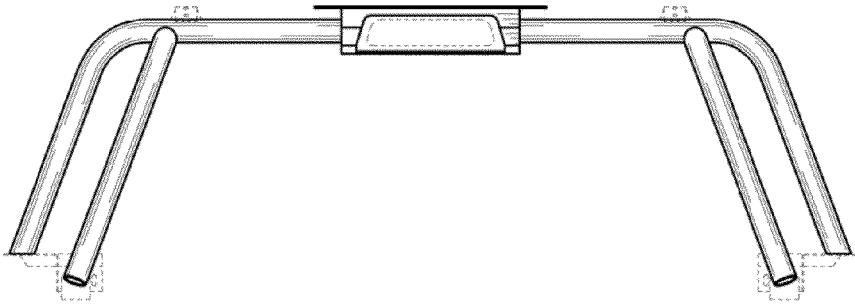


Fig. 11

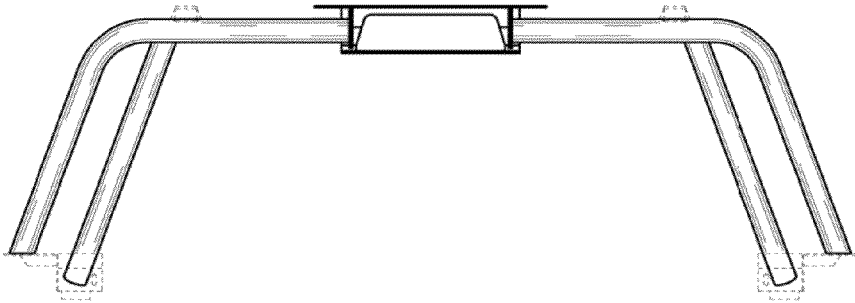


Fig. 12

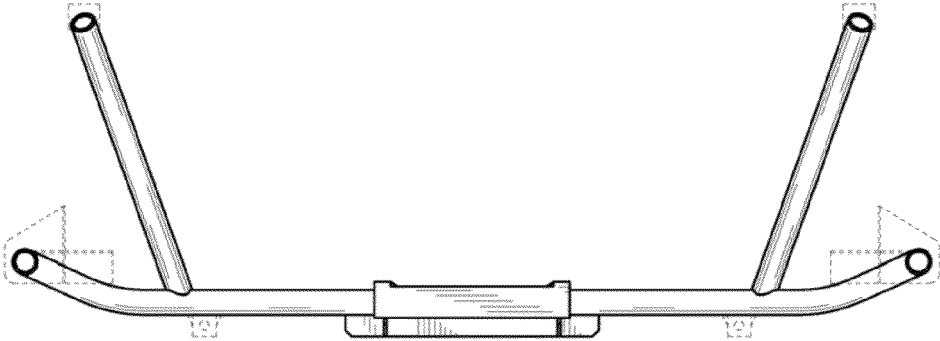


Fig. 13